

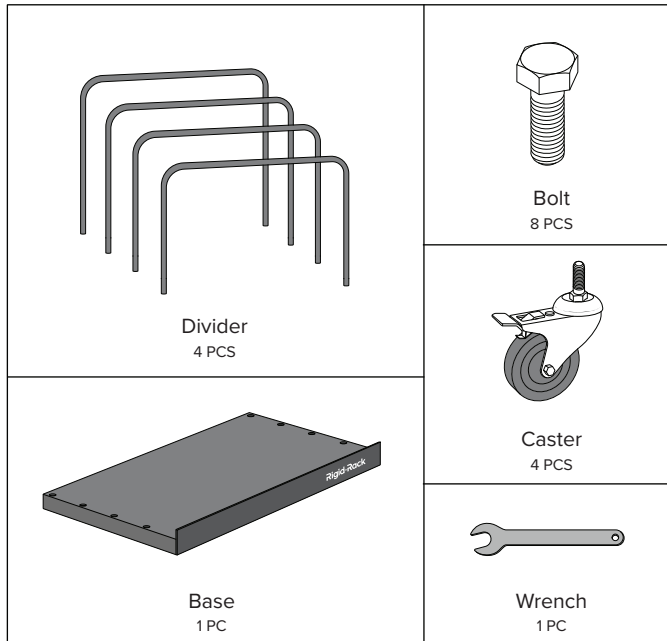


Rigid-Rack

Rolling Panel Cart

INSTALLATION INSTRUCTIONS

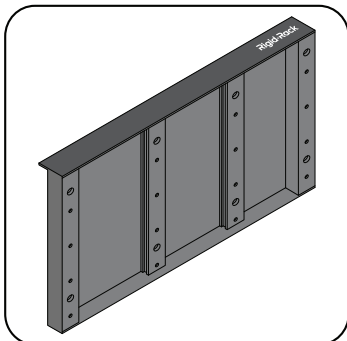
Components



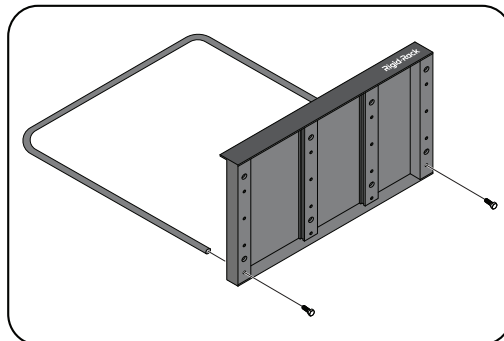
CAUTION  Please read all instructions before attempting installation

Notes

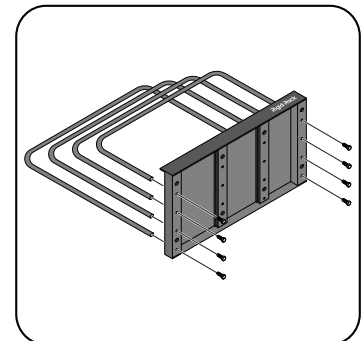
- Build the Galaxy Rigid-Rack on a soft surface such as carpet to prevent scratching the finish
- Dividers can be positioned on the base in any height order



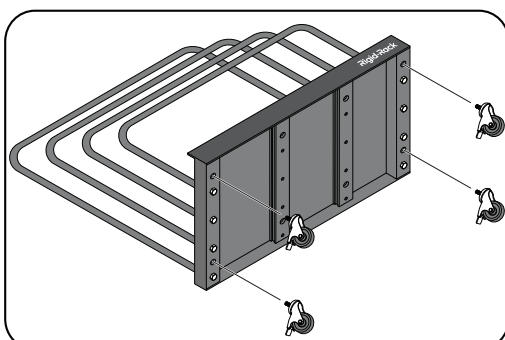
1 Rest the base on it's side with the front flange facing upward.



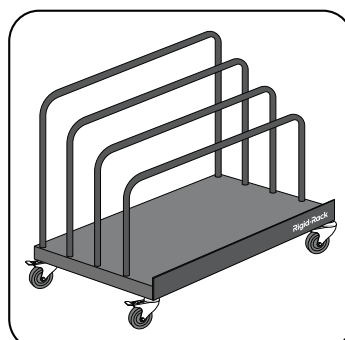
2 Starting at the back (farthest away from front flange) secure tallest divider into position with two bolts. Use the supplied wrench to tighten. **DO NOT overtighten.**



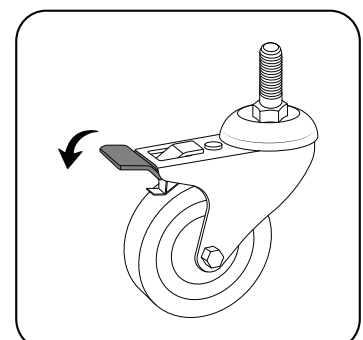
3 Add the remaining dividers, working from tallest to shortest.



4 Attach the four casters. Use the supplied wrench to tighten. **DO NOT overtighten.**



5 Carefully rotate the unit upright.



! To lock casters, press down firmly on the pedal brake. To unlock casters, push up on the pedal brake.