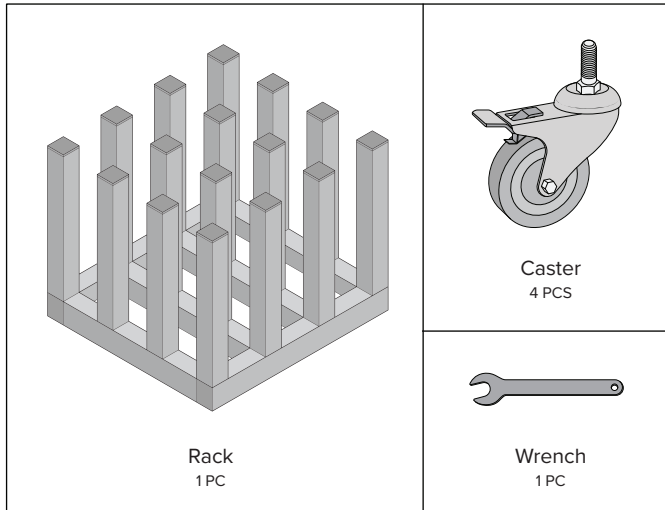




Components



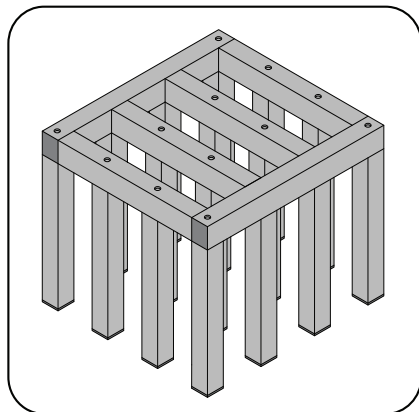
CAUTION ⚠ Please read all instructions before attempting installation

Assemble the Galaxy Meteor-Rack R3 on a soft surface such as carpet to prevent scratching the finish

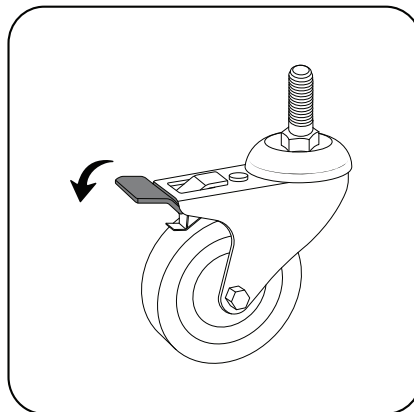


Video Tutorial

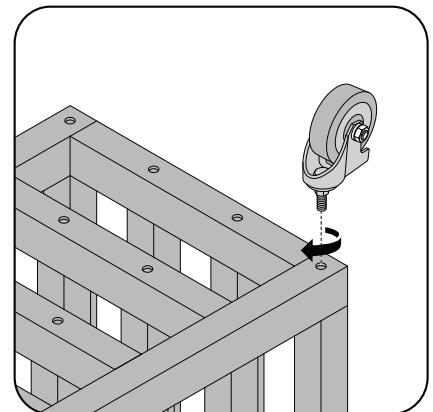
Installation/assembly tutorials and product information videos available on YouTube @GalaxyPrintSpace



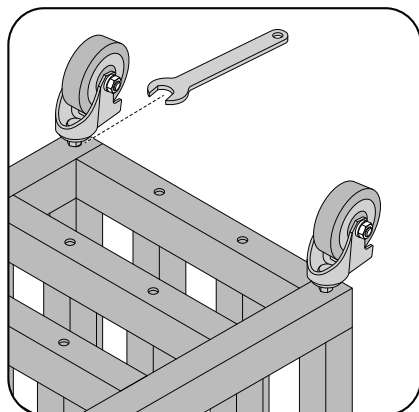
1 Place the rack upside down.



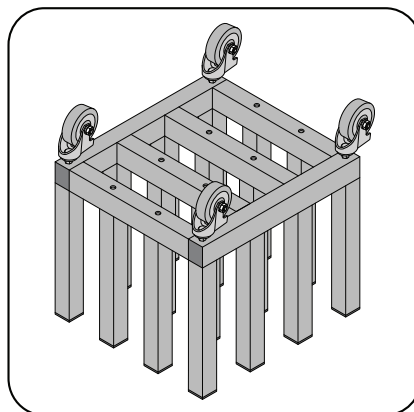
2 Lock the casters to speed up assembly time.



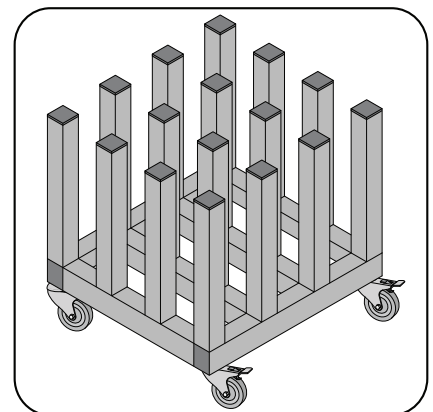
3 Insert the thread of a caster into a hole located in a corner of the rack. Rotate clockwise to hand tighten.



4 Use the wrench to secure each caster into place.
Repeat on all four corners.



5 Double check that all casters are fully tightened and secure.



6 Rotate the rack so that it is resting on the casters.
To unlock casters, push up on the pedal brake.