

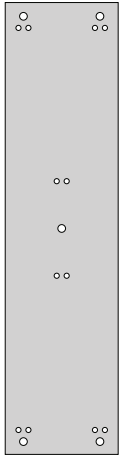
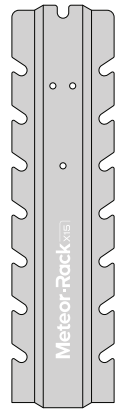
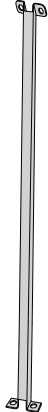





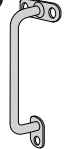




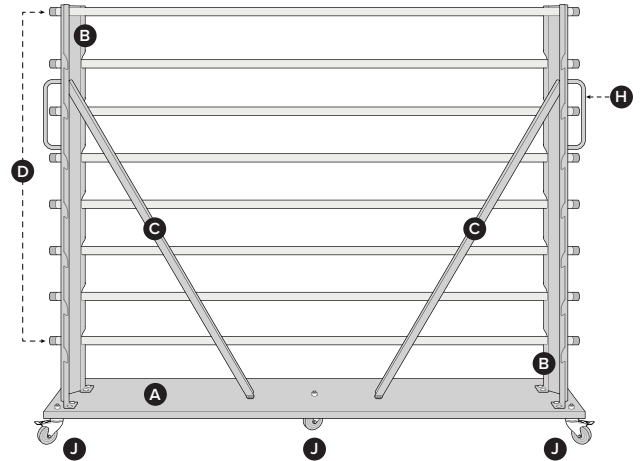
Meteor-Rack X15

Mobile Media Rack

ASSEMBLY INSTRUCTIONS

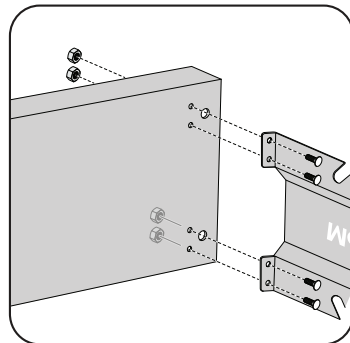
Components

A  Base 1 PCS	B  Upright 2 PCS	C  Brace 2 PCS	D  Pole 15 PCS	E  Sm Locknut 18 PCS	G  Lg Locknut 5 PCS
				F  Carriage Bolt 18 PCS	J  Caster 5 PCS
				H  Handle 2 PCS	 Wrench 1 PC
					 Hex Key 1 PC

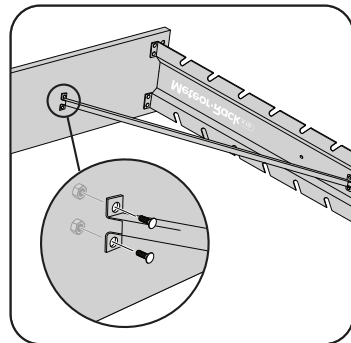


CAUTION  Please read all instructions before attempting assembly

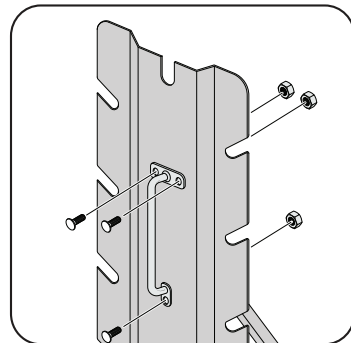
To avoid injury or damage to the unit **do not stand on the base.**



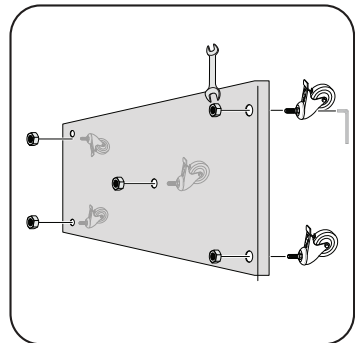
1 Start by resting the base (A) on its side lengthwise on a soft surface such as carpet. Attach one upright (B) with the flanges facing inward and the logo legible from the outside.



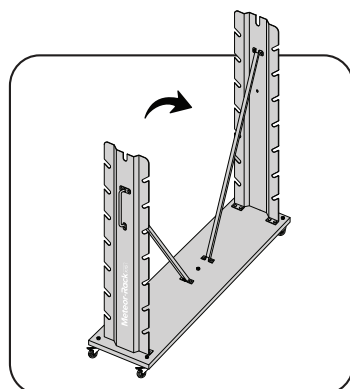
2 Attach brace (C) to base (A) with two bolts (F) through the top and two nuts (E) secured underneath.



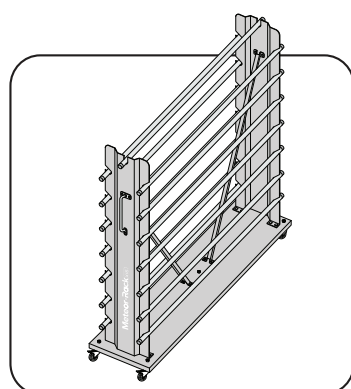
3 Finish securing brace (C) to upright (B) by attaching handle (H) to outside of upright.
Repeat steps 1 to 3 on the opposite side.



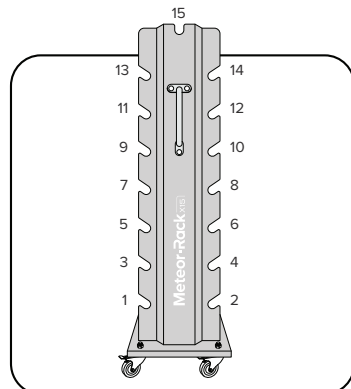
4 Secure five casters (J) to the bottom of the base (A) with (G). Insert hex key in caster above wheel, and wrench on large locknut above the base.



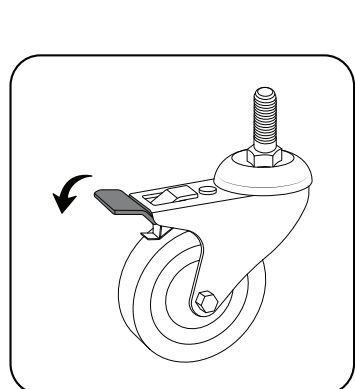
5 With the help of a second person, stand the unit upright.



6 Rest the poles (D) on the uprights (B). Balance the overhang on each side.



! Load media evenly on both sides starting from the bottom to prevent tipping.



***** To lock casters, press down firmly on lip.